

**COMPARISON BETWEEN
GR740, LEON4-N2X AND NGMP**

TABLE OF CONTENTS

1 INTRODUCTION.....	3
1.1 Scope of the Document.....	3
1.2 Reference Documents.....	3
2 COMPARISON BETWEEN GR740, LEON4-N2X AND NGMP.....	4
2.1 Overview.....	4
2.2 Comparison.....	5
2.3 Changes in memory map.....	10

1 INTRODUCTION

1.1 Scope of the Document

This document lists the differences between the Cobham Gaisler GR740 device and prototypes that have preceded this device. The document also compares the GR740 with other radiation-hard LEON devices.

This document supersedes the document *Differences Between NGMP Functional Prototype and Baseline NGMP Design, NGFP-FPDIFF-0016*.

Performance and timing parameters of the GR740 device may change over time. Please see <http://www.gaisler.com/gr740> for the latest information.

1.2 Reference Documents

[NGMP] "Quad Core LEON4 SPARC V8 Processor, Data Sheet and User's Manual", Aeroflex Gaisler, LEON4-NGMP-DRAFT-2-2, May 2013

[LEON4-N2X] "Quad Core LEON4 SPARC V8 Processor, LEON4-N2X, Data Sheet and User's Manual", Aeroflex Gaisler, LEON4-N2X-DS-2-9, October 2014

[GR740] "Quad Core LEON4 SPARC V8 Processor, GR740, Data Sheet and User's Manual", Cobham Gaisler, GR740-UM-DS, latest version available: <http://gaisler.com/gr740>

[MMUTN] "Technical Note on LEON SRMMU Behaviour", Cobham Gaisler, TN-LEON-SRMMU, January 2015, available from: <http://gaisler.com/notes>

2 COMPARISON BETWEEN GR740, LEON4-N2X AND NGMP

2.1 Overview

The GR740 device is a result of the work performed within the Next Generation Microprocessor (NGMP) activity initiated by ESA/ESTEC. Within this activity there, have been several NGMP FPGA prototypes developed and a functional prototype, LEON4-N2X, was also developed.

The block diagram below shows the architecture of the GR740 device. The table in in section 2.2 lists differences between the GR740 [GR740], LEON4-N2X [LEON4-N2X] and NGMP baseline design [NGMP]. Please note that the design described by [NGMP] has undergone changes throughout the development. This document describes the differences between designs for the latest data sheets at the time of writing. FPGA prototypes of the NGMP design are reduced versions of the NGMP design and have additional differences.

The comparison is intended to be useful for users without prior knowledge of the NGMP project, where the information in this document can be used to assess if the LEON4-N2X is a suitable prototype for specific GR740 applications.

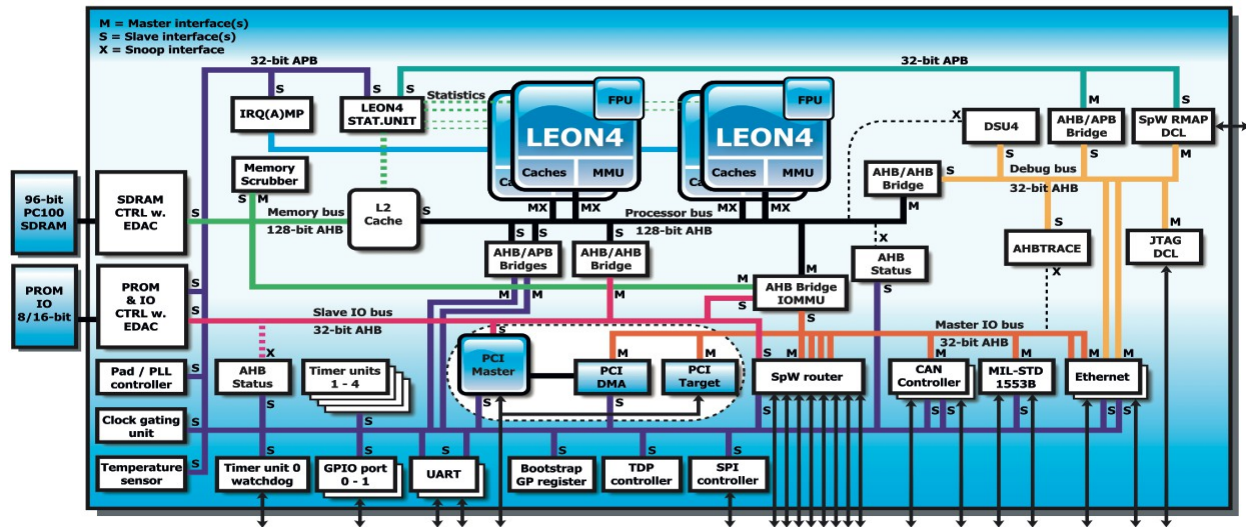


Figure 1: GR740 block diagram

2.2 Comparison

The table below compares [GR740], [LEON4-N2X] and [NGMP]. Rows with differences have bold text in the *Feature* column.

Feature	GR740	LEON4-N2X	NGMP
Technology	STM C65SPACE	eASIC Nextreme2	STM Space DSM (target)
Device ID / Build ID	0x740 / 4152 (revision 0) 0x740 / 4153 (revision 1)	0x280 / 4114	0x280, 0x281 / -
Radiation-tolerant	Yes	No	Yes
Package	CLGA625	FC896	Ceramic flip-chip target
CPU	4 x LEON4 Protection of register files and L1 cache	4 x LEON4 (No protection of L1 cache and register files)	4 x LEON4 Protection of register files and L1 cache
FPU	4 x GRFPU (one per CPU)	2 x GRFPU (shared per CPU pair)	4 x GRFPU (one per CPU)
CPU,FPU clock	250 MHz (TBC, estimated worst case at 125°C and 20 years lifetime)	150-200 MHz	400 MHz target
Level-1 (L1) cache	I: 4x4KiB, D: 4x4KiB	I: 4x4KiB, D: 4x4KiB	I: 4x4KiB, D: 4x4KiB
L1 cache replacement policy	Soft configurable: Least-Recently-Used, Random, Direct-mapped	Least-Recently-Used	Soft configurable
L1 cache physical (snoop) tag error counter	Yes	No	No
Branch prediction	Yes, can be disabled via %ASR17	Yes	Yes
Disable branch prediction on i-cache miss	Yes, can be controlled via %ASR17	No	No
LEON4 time-stamp counter (%ASR22/23)	Yes	No	No
LEON4 support for SPARC V8E nonprivileged ASI access	Yes	No	No
LEON4 HW watchpoints trigger on least significant word of LDD/STD	Yes	No	No
Memory Management Unit	Yes. Fault Status register and Fault Address Register update conditions have been changed compared to earlier versions. See [MMUTN].	Yes	Yes
Shared Level-2 cache	Yes	Yes	Yes
Level-2 cache size	4 x 512 KiB 2048 KiB total	4 x 64 KiB 256 KiB total	4 x 128 KiB 512 KiB total
L2-cache EDAC	Yes	No (sim. timing)	Yes
L2-cache scrubber	Yes	No	Yes
Pipeline stage between LEON4 and L2 cache	Yes, increases latency of read and write accesses on Processor AHB bus.	No	No
L2-cache support for serving cache hits during	Yes, via the use of SPLIT transactions	No	No

Feature	GR740	LEON4-N2X	NGMP
miss processing			
On-chip buses	5xAHB, 2xAPB	5xAHB, 2xAPB	5xAHB, 2xAPB
On-chip bus frequency	Same as CPU	Same as CPU	Same as CPU
CPU bus	128-bit AHB	128-bit AHB	128-bit AHB
Memory bus	128-bit AHB	128-bit AHB	128-bit AHB
I/O Master bus	32-bit AHB	32-bit AHB	32-bit AHB
I/O Master access control	GRIOMMU	GRIOMMU	GRIOMMU
I/O master bus SPLIT support	No	Yes, configurable by software.	Yes, configurable by software.
IOMMU bus selection	Via registers and IOPTTE	Not supported	Via registers
IOMMU number of groups	8	8	6
I/O Slave bus	32-bit AHB	32-bit AHB	32-bit AHB
APB bus connected to CPU bus	Yes	No (connected to slave I/O bus)	No (connected to slave I/O bus)
Debug bus	32-bit AHB	32-bit AHB	32-bit AHB
Debug bus clock gating	Yes (via DSUEN)	Yes (via DSUEN)	Yes (via DSUEN)
Main memory controller	SDRAM	Multiplexed DDR2/SDRAM w. separate pins	Multiplexed DDR2/SDRAM
Memory width	64+32 / 32+16	64+32 / 32+16	64+32 / 32+16
Memory speed	Up to 100 MHz SDRAM (PCB timing limited)	300 MHz DDR2, 100 MHz SDRAM	400 MHz DDR2, 133 MHz SDRAM
SDRAM 2T signalling	Yes	No	No
Memory EDAC	4x-interleaved RS	4x-interleaved RS	4x-interleaved RS
Widest SEU tolerance	16-bit lane	16-bit lane	16-bit lane
Memory failover	Yes	Yes	Yes
External memory scrubbing in hardware	Yes	Yes	Yes
PROM controller	FTMCTRL 8/16-bit	FTMCTRL 8/16-bit	FTMCTRL, 8/16-bit
PROM EDAC	Yes, in 8-bit mode	Yes, in 8-bit mode	Yes, in 8-bit mode
PROM lead-out cycles	Configurable by SW	2	4
SpaceWire	GRSPWROUTER 8 SpW ports 4 AMBA ports	GRSPWROUTER 8 SpW ports 4 AMBA ports	GRSPWROUTER 8 SpW ports 4 AMBA ports
SpaceWire-D support	Hardware support	No hardware support	No hardware support
SpaceWire-PnP support	Yes, subset	No	No
SpaceWire distributed interrupt support	Yes, 32 interrupts with acknowledgements and 64 interrupts, selected via bootstrap signals and software configurable.	No	No
SpaceWire Time-Code filtering	Connected to TDP controller and support for Time-Code filtering in SpaceWire router AMBA ports.	Needs to be implemented in software.	Needs to be implemented in software
SpaceWire clock	300 MHz	200 MHz	200 MHz
SpaceWire sampling	DDR	DDR	DDR
SpaceWire buffers	Protected RAM	Unprotected RAM	Protected RAM

Feature	GR740	LEON4-N2X	NGMP
MIL-STD-1553B	GR1553B 1xdual-red.	GR1553B 1xdual-red.	GR1553B 1xdual-red.
CAN 2.0B controller	Yes, two	No	Yes, one
PCI interface	GRPCI2 32-bit <i>TBD</i> MHz	GRPCI2 32-bit 33/66 MHz	GRPCI2 32-bit 33/66 MHz
PCI Arbiter on-chip	No	Yes	Yes
PCI buffers	Implemented with rad-hard flip-flops. Trace buffer with implemented with unprotected RAM.	Unprotected	Protected
Ethernet	2 x GRETH_GBIT	2 x GRETH_GBIT	2 x GRETH_GBIT
Ethernet controller RAM debug access (access to internal buffers via APB interface)	Disabled	Yes	Yes
Ethernet buffers	Protected RAM (except EDCL data)	Unprotected RAM	Protected RAM
Ethernet Debug communication Link MAC Addresses	00:50:C2:75:A3:30 - 3F 00:50:C2:75:A3:40 - 4F	00:50:C2:75:A0:60 - 6F 00:50:C2:75:A0:70 - 7F	00:50:C2:75:A0:60 - 7F 00:50:C2:75:A3:00 - 3F
High-Speed Serial Links	No	No	Yes
SPI Controller	SPICTRL master/slave	SPICTRL master/slave	SPICTRL master/slave
UART:s	2 x APBUART	2 x APBUART	2 x APBUART
General-purpose timer	1x5 + 4x4	1x5 + 4x4	1x5 + 4x4
Timer latch capability	Yes	No	No
Watchdog output	Yes	Yes	Yes
Watchdog clocked directly by input clock to catch PLL related events	Yes	No	No
GPIO	16 + 22 shared on pins (additional GPIO port peripheral included in design)	16	16
GPIO toggling controlled by internal hardware events	Yes. Timer ticks and latch events can toggle GPIO.	No	No
GPIO interrupt available and interrupt flag registers	Yes	No	No
GPIO logical-or,-and-xor registers	Yes	No	No
Interrupt controller	IRQ(A)MP	IRQ(A)MP	IRQ(A)MP
Interrupt (re)map support	Yes	No	No
Timer value synchronized between DSU, AHB trace buffer and interrupt controller timestamp	Yes	No	No
Performance counters (L4STAT statistics unit)	Yes	Yes	Yes
CCSDS TDP controller	Yes	No	No
Number of performance counters in L4STAT	16	4	4
Performance counter events from Master I/O bus	Yes	No	No
Performance counter events	Yes	No	No

Feature	GR740	LEON4-N2X	NGMP
for AHB REQ/GRANT			
Performance counter events per master from L2 cache	Yes (for hit, miss, access)	No (combined for all masters)	No (combined for all masters)
Performance counter events for L2 cache EDAC	Yes	No	No
Performance counter latching and timestamp	Yes	No	No
Master I/O trace buffer filters for RETRY response	Yes	No	No
Spacewire debug link	Yes, separate GRSPW2	Yes, separate GRSPW2	Yes, separate GRSPW2
USB debug link	No	Yes	Yes
JTAG debug link	Yes	Yes	Yes
Ethernet debug link	Yes (2x)	Yes (2x)	Yes (2x)
Ethernet debug link can be disabled via separate bootstrap	Yes	No	No
DSU AHB trace buffer size	4 KiB	4 KiB	4 KiB
Instruction trace buffer size	8 KiB	4 KiB	4 KiB
Instruction trace buffer can be written via DSU register i/f.	Yes	No (not all lines)	Yes
Instruction trace buffer can be read while processor is executing	Yes	No	No
Instruction trace buffer overflow detection	Yes	No	No
DSU trace buffers enabled after reset	Yes, when DSUEN='1' and BREAK='0'.	No	No
Debug units clock gated by DSUEN	Yes	Yes	Yes
Reset and clocking scheme	<p>Single reset input is connected to all internal interfaces and clock domains (including PCI, Ethernet, MIL-STD-1553B and SpaceWire) reset lines.</p> <p>Clocking scheme differs from NGMP specification. See user manual and data sheet for details.</p>	<p>Multiple reset inputs for different interfaces.</p> <p>Clocking scheme differs from NGMP specification. See user manual and data sheet for details.</p>	<p>Multiple reset inputs for different interfaces.</p>
Clock gating unit	Yes, extended to allow manual gating of additional peripherals	Yes	Yes
FPU clock gating controlled separately from CPU clock	Yes	Yes (for shared FPU)	No
Dynamic PLL control	Yes	Yes	Not specified
Dynamic Pad control	Yes	Yes	Not specified
Pin multiplexing	Yes	No	Yes (between DDR2 SDRAM and SDRAM)
Temperature sensor	Yes	No	No
General purpose register for	Yes	No	No

Feature	GR740	LEON4-N2X	NGMP
bootstrap signals			
JTAG boundary scan	Yes, using SoC TAP	Yes, separate TAP	Yes
Scan test	Yes	Not user-accessible	Yes
OCC scan test	Yes	Not user-accessible	Not specified
Memory BIST	Yes, accessed via JTAG	Not user-accessible	Not specified
Clock-to-out test modes	SDRAM, PCI, ETH	No	Not specified
[LEON4-N2X], section 44, errata	Not affected	Affected	-

2.3 Changes in memory map

Some cores do not exist in all designs and are missing in the memory map. Peripherals that have been moved are:

- L4STAT: Debug bus base address for the L4STAT unit has been changed in GR740 compared to LEON4-N2X/NGMP.
- GR1553B: Base address for the MIL-STD-1553B controller has been changed in GR740 compared to LEON4-N2X.
- PCI arbiter is not included in the design. CAN controller APB interface moved to PCI arbiters position on APB bus when compared to LEON4-N2X/NGMP.
- General purpose register bank: Address map has been changed between LEON4-N2X and GR740. Peripheral is not included in NGMP specification. The functionality driven by the registers are different between the devices.

Copyright © 2017 Cobham Gaisler

Information furnished by Cobham Gaisler is believed to be accurate and reliable. However, no responsibility is assumed by Cobham Gaisler for its use, or for any infringements of patents or other rights of third parties which may result from its use. No license is granted by implication or otherwise under any patent or patent rights of Cobham Gaisler.

All information is provided as is. There is no warranty that it is correct or suitable for any purpose, neither implicit nor explicit.